

# EI<sup>Net</sup> <sup>LTC</sup> Power Factor Controller & Electrical Powermeter



EI<sup>Net</sup> LTC Power Factor Controller & Energy powermeter allows measurement of power factor and power factor correction by using up to 16 stages ON/OFF switching control of capacitor banks.

The LTC enables automatic identification of capacitors' size and its connection in various methods, includes history data logging. Up to 32 partial harmonics monitoring, 6 months of daily based energy and supports standard communication protocols Modbus and BACnet (optional) with simple integration into Building Management Systems over RS485 or Ethernet TCP (optional).

## Technical Data

Power Requirements:	90 ~ 250 VAC 110 ~ 280 VDC 60/50 Hz 8VA
Dimensions (HxWxD):	144 x 144 x 100 mm
Shipping Weight:	1.00 Kg.
Environmental:	
Operation.	-20 ~ +70 °C
Storage.	-20 ~ +70 °C
Humidity	0 ~ 95 RH% non-condensing
Front Panel Protection	IP64

## Communication

RS485 port:	Up to 115200 bauds Modbus RTU. BACnet MSTP , (Optional)
Ethernet (TCP/IP):	Modbus and BACnet IP + Web browser capability (Optional)

## Input & Output Rating

Accuracy:	Active energy 0.2% Reactive energy 0.2%
Voltage: Line-Line	0 ~ 950 VAC RMS
Line-Neutral	0 ~ 550 VAC RMS
Maximum Burden	1000V RMS Continuous < 0.06VA
Current: Rated	0-1 A or 0-5 A
Overload	50 A RMS Continuous
Withstand Burden	100 A for 1 minute < 0.05 VA
Display:	High resolution LCD display 128x64 pixels
Maximum Input Voltage:	1000V
Maximum Input Current:	6A
Digital inputs:	2, 230VAC (ON)
Digital output:	16, relay output, max load 5A



**CONTROL APPLICATIONS Ltd.**

Supervision & control system

Tel: +972-3-6474998 Fax: +972-3-6474598 24a Habarzel St. Tel-Aviv, 69710, Israel

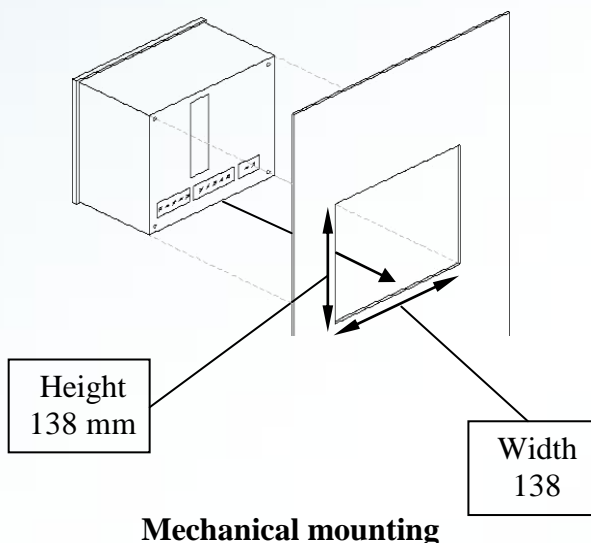
# ElNet<sup>LTC</sup> Power Factor Controller & Electrical Powermeter

## Measurement & Display Values

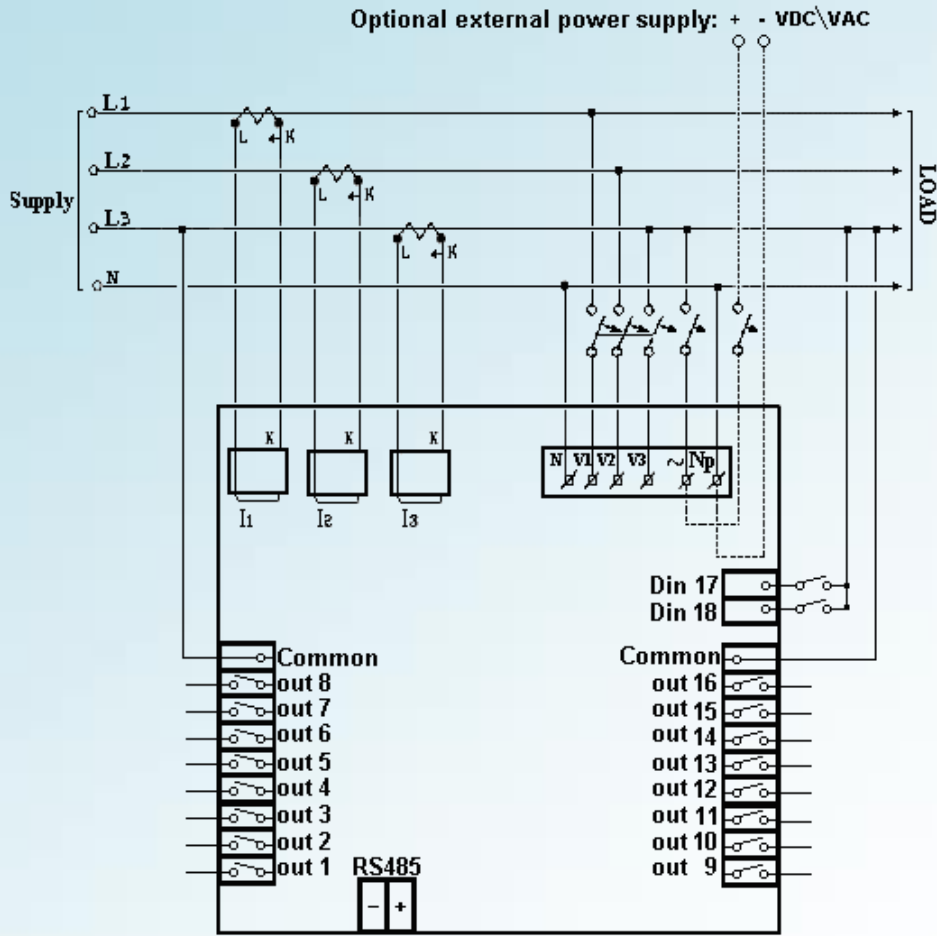
Measurement Parameter	Display Range in direct connection (scaling factor 1)	Measuring in direct connection (scaling factor 1)	Display Range
Current	0.001 – 6A	0.001 – 6A	0.001 – 99999KA
Neutral Current (calculated)	0.001 – 6A	0.001 – 6A	0.001 – 99999KA
Voltage L-N	0.000 – 550 V	0.000 – 550 V	0.001 – 99999KV
Voltage L-L	0.000 – 650 V	0.000 – 650 V	0.001 – 99999KV
Frequency (Hz)	45.001-65.001 Hz	45.001-65.001 Hz	45.001-65.001 Hz
Active power total\phase			0.000W – 99999MW
Reactive power total\phase			0.000VAR - 99999MVAR
Apparent power total\phase			0.000VA - 99999MVA
Power Factor (cap.\ind.)	-1.000 ÷ 1.000	-1.000 ÷ 1.000	-1.000 ÷ 1.000
Active Energy total\phase			0.001WH – 99999999MWH
Reactive Energy total\phase			0.001VARH - 99999999MVARH
Apparent Energy total\phase			0.001VAH - 99999999MVAH
Harmonic THD V\I			0.000 – 100%
Partial Harmonic V\I			0.000 – 100%
Operating hour meter			99999-HH:MM:SS

## Standards

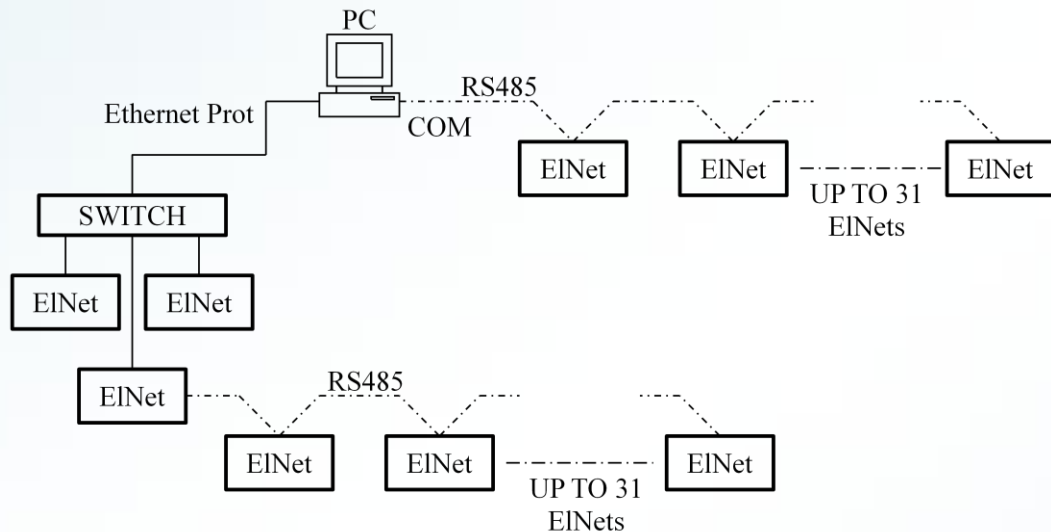
IEC 60051-5  
 EN 55022, Class A, Amendments A1; A2  
 EN 55024, Amendments A1; A2  
 EN 61000-3-2, Class A  
 EN 61000-3-3, Amendment A1  
 IEC 61000-4-2  
 IEC 61000-4-3  
 IEC 61000-4-4  
 IEC 61000-4-5  
 IEC 61000-4-6  
 IEC 61000-4-11



# EI<sup>LTC</sup>Net Power Factor Controller & Electrical Powermeter



**Wiring Diagram Example**



— TCP/IP ETHERNET (Shielded & Grounded)

- - - - RS485 (Shielded & Grounded)

**Communication Diagram Example**